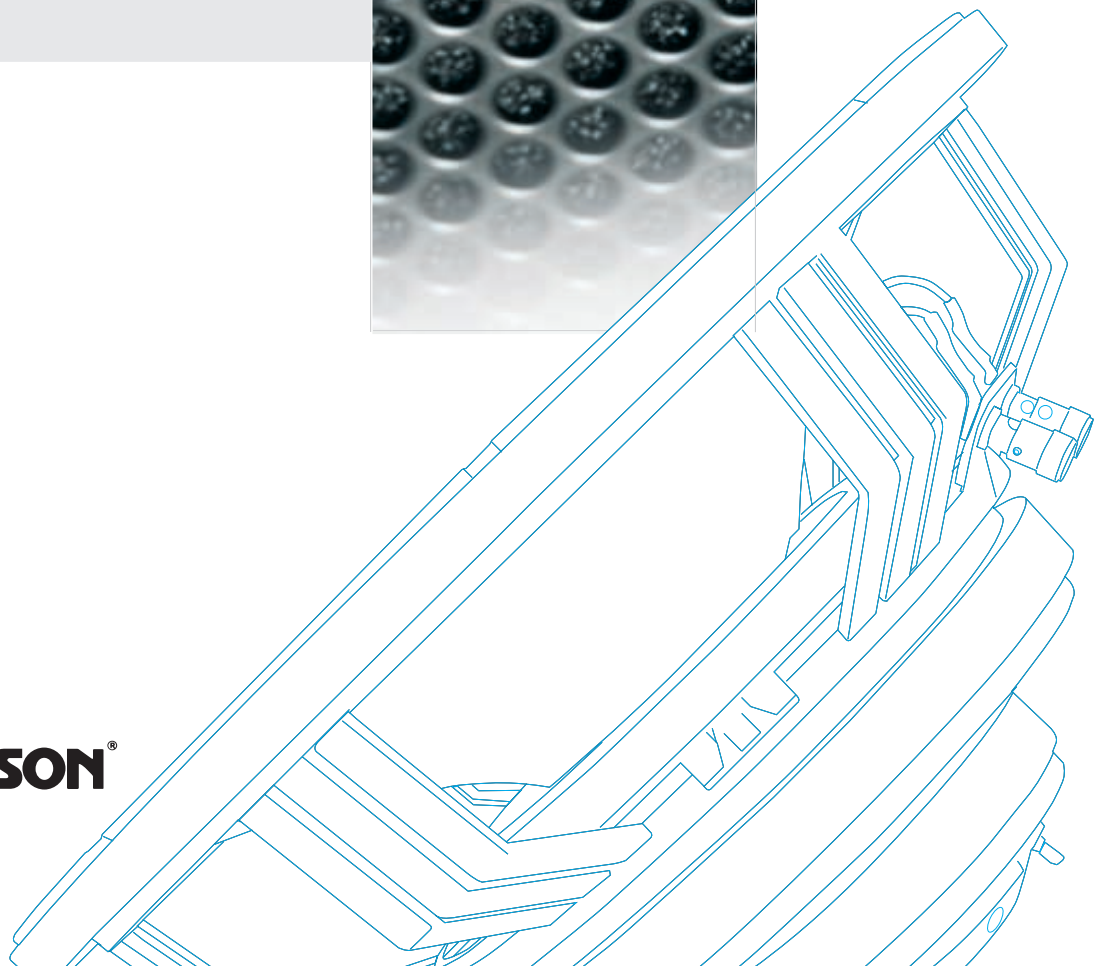


ALTAVOCES / LOUDSPEAKERS

08'



MUSICSON[®]



Todos los derechos reservados. Cualquier manipulación de nuestros productos, como manipulaciones técnicas, cambio de datos , no están permitidos y están en contra de nuestros derechos de marca.

Arp[®] es marca registrada. Musicson[®] es marca registrada. 2008

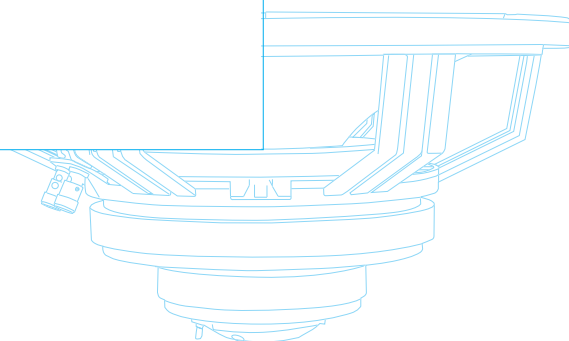
Puede encontrar más información sobre nuestros productos en internet bajo la siguiente dirección: www.musicson.com

All rights reserved. It is not allowed every change of our products and manipulation of technical data information . All rights reserved by Musicson.

Arp[®] is a registered trademark. Musicson[®] is a registered trademark. 2008

Find more information about our products on internet . Website: www.musicson.com

1. MOTORES DE COMPRESIÓN / DRIVERS	2-3
1.1 CT- 345 S	
1.2 MH-160-16	
1.3 MHG- 160/16	
1.4 HT- 210 N	
2. ALTAVOCES DE MEDIOS-GRAVES / LOW & MID LOUDSPEAKERS ...	3-6
2.1 LM-852	
2.2 LM-840	
2.3 M-1039	
2.4 LM-10250	
2.5 LM-1052	
2.6 LM-1252	
2.7 LM-1240	
2.8 LM-12-300	
2.9 L-15-500	
2.10 LM-1552	
2.11 LM-1577	
3. ALTAVOCES PARA REPRODUCCIÓN DE FRECUENCIAS GRAVES / LOW FREQUENCIES LOUDSPEAKERS	7
3.1 LM-15-500	
3.2 L-18-800	
4. ALTAVOCES COAXIALES / COAXIAL LOUDSPEAKERS	7-8
4.1 LX-12-400	
4.2 LX-15-500	
5. DIFUSORES / HORNS	8
5.1 L-033	
5.2 L-021	
5.3 YD-020	
6. FILTROS PASIVOS / PASSIVE FILTERS	9
6.1 CIM-212	
6.2 CIM-173 A1-B	
6.3 CIM- 173 C3-2	
6.4 CIM- 234 B2-4	
6.5 CIM- 234 B2-5	
6.6 CIM- 234 D4-3	
6.7 CIM-188	
6.8 CIM-205	
6.9 CIM-252	
6.10 CIM-253	



CT-345 AS



REF.: 205.90.0.05

ESPECIFICACIONES / SPECIFICATIONS

Nominal Diameter	1" (25.4mm)
Nominal Impedance	8 OHM
D.C. Resistance	6.4 OHM
Power Handling	45 W A.E.S
Sensitivity (1W/1m)	105 dB
Frequency Range	1.5 – 19 KHz
Recommended Crossover	2.5 KHz or Higher(12dB/oct min.)
Voice coil nominal diameter	1.35" (34.4mm)
Diaphragm Material	Titanium
Flux Density	1.45 T
Magnet diameter	90mm

MOUNTING INFO

Four M5 holes on 60 mm diameter	
Overall diameter	90mm
Depth	62,5 mm
Net weight	0.984 Kg (2,17 lb)

MH-160/ 16



REF.: 205.18.1

ESPECIFICACIONES / SPECIFICATIONS

Nominal Diameter	1 " (25 mm)
Nominal Impedance	16 Ohm
D.C. Resistance	10.5 Ohm
Power Handling	75 W A.E.S
Sensitivity (1W/1m)	105 dB spl
Frequency Range	1 KHz- 19 KHz
Recommended Crossover	2 KHz (MIN.)
Voice coil nominal diameter	1.75" (44.5 mm)
Diaphragm Material	Polymer(MYLAR)
Flux Density	1.45 T
Inductance	0.1 mH
Magnet diameter	100 mm
Also available impedances	8 Ohm

MOUNTING INFO

Four M5 holes on 60 mm diameter	
Overall diameter	100 mm
Depth	50 mm
Net weight	1.51 Kg (0.33 lb)

MHG-160/ 16



REF.: 205.18.2

ESPECIFICACIONES / SPECIFICATIONS

Nominal Diameter	1 " (25 mm)
Nominal Impedance	16 Ohm
D.C. Resistance	10.5 Ohm
Power Handling	90W A.E.S
Sensitivity (1W/1m)	107 dB spl
Frequency Range	1 KHz- 20 KHz
Recommended Crossover	2 KHz (MIN.)
Voice coil nominal diameter	1.75" (44.5mm)
Diaphragm Material	Polymer(MYLAR)
Flux Density	1.8 T
Inductance	0.1 mH
Magnet diameter	134 mm
Also available impedances	8 Ohm

MOUNTING INFO

Four M5 holes on 60 mm diameter	
Overall diameter	132 mm
Depth	52 mm
Net weight	2.68 Kg (0.59 lb)

HT-210N



REF: 205.18.5

ESPECIFICACIONES / SPECIFICATIONS

Throat Diameter	2" (50 mm)
Nominal Impedance	8 Ohm
D.C. Resistance	6.8 Ohm
Power Handling	180W A.E.S
Sensitivity (1W/1m)	111,5 dB spl
Frequency Range	600 Hz- 20 KHz
Recommended Crossover	800 Hz (MIN.)
Voice coil nominal diameter	4" (100mm)
Diaphragm Material	Titanium+Polymer suspension
Flux Density	2 T
Inductance	0.15 mH
Magnet diameter	160 mm

MOUNTING INFO

Four M6 holes on 101.6mm diameter (4")	
Depth	132 mm
Net weight	5.2 Kg (1,14 lb)

2. ALTAVOCES DE MEDIOS-GRAVES / LOW&MID LOUDSPEAKERS

LM-852



REF: 200.3.0

ESPECIFICACIONES / SPECIFICATIONS

Nominal Diameter	8" (210 mm)
Nominal Impedance	8 Ohm
Power Handling	300W A.E.S
Sensitivity (1W/1m)	96 dB (2.83 V/1m)
Frequency Range	65 Hz- 6.000 KHz
Voice coil nominal diameter	2" (52mm)
Voice coil Former	Kapton
Flux Density	1.2 T
Magnet diameter	156 mm
Magnetic gap depth	7 mm
Net weight	4 Kg (7,462 lb)
Also available impedances	4,16 Ohm
** (under special request)	

MOUNTING INFO

Overall diameter	212 mm
Bolt circle diameter	199 mm
Baffle cutout diameter	201 mm
Depth	98 mm

LM-840



REF: 200.4.0

ESPECIFICACIONES / SPECIFICATIONS

Nominal Diameter	8" (200 mm)
Nominal Impedance	8 Ohm
Power Handling	190W A.E.S
Sensitivity (1W/1m)	96.5 dB spl
Frequency Range	55 Hz- 8 KHz
Voice coil nominal diameter	1.5" (39mm)
Voice coil Former	Kapton
Flux Density	1.15 T
Magnet diameter	115 mm
Magnetic gap depth	6 mm
Net weight	2 Kg (9.3 lb)

MOUNTING INFO

Overall diameter	203 mm
Bolt circle diameter	196 mm
Baffle cutout diameter	183 mm
Depth	90 mm

M-1039



REF.: 205.27.0

ESPECIFICACIONES / SPECIFICATIONS

Nominal Diameter	10" (250 mm)
Nominal Impedance	8 Ohm
Power Handling	190 W A.E.S
Sensitivity (1W/1m)	97 dB spl
Frequency Range	70 Hz- 8 KHz
Voice coil nominal diameter	1.5" (39mm)
Voice coil Former	Kapton
Flux Density	1.25 T
Magnet diameter	115 mm
Magnetic gap depth	6 mm
Net weight	2.05 Kg (9.3 lb)
Also available impedances	4 Ohm

MOUNTING INFO

Overall diameter	255 mm
Bolt circle diameter	245 mm
Baffle cutout diameter	231 mm
Depth	106.5 mm

LM-10250



REF.: 205.97

ESPECIFICACIONES / SPECIFICATIONS

Nominal Diameter	10" (250 mm)
Nominal Impedance	8 Ohm
Power Handling	300W A.E.S
Sensitivity (1W/1m)	98 dB spl
Frequency Range	50 Hz- 6 KHz
Voice coil nominal diameter	2" (50mm)
Voice coil Former	Kapton
Flux Density	1.1 T
Magnet diameter	156 mm
Magnetic gap depth	7 mm
Net weight	4.2 Kg (0.92 lb)

MOUNTING INFO

Overall diameter	270 mm
Bolt circle diameter	252 mm
Baffle cutout diameter	235 mm
Depth	110 mm

LM-1052



REF.: 205.28.0

ESPECIFICACIONES / SPECIFICATIONS

Nominal Diameter	10" (250 mm)
Nominal Impedance	8 Ohm
Power Handling	300 W A.E.S
Sensitivity (1W/1m)	97.5 dB spl
Frequency Range	58 Hz-5.5 KHz
Voice coil nominal diameter	2" (50 mm)
Voice coil Former	Kapton
Flux Density	1.2 T
Magnet diameter	156 mm
Magnetic gap depth	7 mm
Net weight	3.95 Kg (18 lb)

MOUNTING INFO

Overall diameter	270 mm
Bolt circle diameter	252 mm
Baffle cutout diameter	235 mm
Depth	110 mm

LM-1252



REF.: 205.37.0

ESPECIFICACIONES / SPECIFICATIONS

Nominal Diameter	12" (300 mm)
Nominal Impedance	8 Ohm
Power Handling	300 W A.E.S
Sensitivity (1W/1m)	97 dB spl
Frequency Range	43 Hz- 5 KHz
Voice coil nominal diameter	2" (50mm)
Voice coil Former	Kapton
Flux Density	1.1 T
Magnet diameter	156 mm
Magnetic gap depth	7 mm
Net weight	4.3 Kg (0.94 lb)
Also available impedances	16 Ohm

MOUNTING INFO

Overall diameter	309.5 mm
Bolt circle diameter	295 mm
Baffle cutout diameter	281 mm
Depth	125 mm

LM-1240



REF.: 205.40.0

ESPECIFICACIONES / SPECIFICATIONS

Nominal Diameter	12" (300 mm)
Nominal Impedance	8 Ohm
Power Handling	190 W A.E.S
Sensitivity (1W/1m)	98,5 dB spl
Frequency Range	48 Hz- 7.5 KHz
Voice coil nominal diameter	1,5" (39mm)
Voice coil Former	Kapton
Flux Density	1.2 T
Magnet diameter	134 mm
Magnetic gap depth	7 mm
Net weight	3.4 Kg (15,47 lb)
Also available impedances	16 Ohm

MOUNTING INFO

Overall diameter	309 mm
Bolt circle diameter	296 mm
Baffle cutout diameter	281 mm
Depth	126 mm

LM-12-300



REF.: 205.36.0

ESPECIFICACIONES / SPECIFICATIONS

Nominal Diameter	12" (300 mm)
Nominal Impedance	8 Ohm
Power Handling	450 W A.E.S
Sensitivity (1W/1m)	99 dB spl
Frequency Range	50 Hz-4.5 KHz
Voice coil nominal diameter	3" (76 mm)
Voice coil Former	Kapton
Flux Density	1.3 T
Magnet diameter	180 mm
Magnetic gap depth	7 mm
Net weight	6.3 Kg (1.39 lb)

MOUNTING INFO

Overall diameter	312.5 mm
Bolt circle diameter	294 mm
Baffle cutout diameter	281 mm
Depth	148 mm

L-15-500



REF.: 205.65

ESPECIFICACIONES / SPECIFICATIONS

Nominal Diameter	15" (380 mm)
Nominal Impedance	8 Ohm
Power Handling	750 W A.E.S
Sensitivity (1W/1m)	99,7 dB spl
Frequency Range	35 Hz- 2 KHz
Voice coil nominal diameter	4" (101.6 mm)
Voice coil Former	Kapton
Flux Density	1.15 T
Magnet diameter	220 mm
Magnetic gap depth	9 mm
Net weight	9.7 Kg (2,13 lb)
Also available impedances	4 Ohm

MOUNTING INFO

Overall diameter	388 mm
Bolt circle diameter	370 mm
Baffle cutout diameter	352 mm
Depth	140 mm

LM-1552



REF.: 205.69.0

ESPECIFICACIONES / SPECIFICATIONS

Nominal Diameter	15" (380 mm)
Nominal Impedance	8 Ohm
Power Handling	375W A.E.S
Sensitivity (1W/1m)	99 dB spl
Frequency Range	32 Hz- 4.5 KHz
Voice coil nominal diameter	2" (50 mm)
Voice coil Former	Kapton
Flux Density	1.1 T
Magnet diameter	156 mm
Magnetic gap depth	7 mm
Net weight	4.6 Kg (1.01 lb)
Also available impedances	16 Ohm

MOUNTING INFO

Overall diameter	384 mm
Bolt circle diameter	369 mm
Baffle cutout diameter	348 mm
Depth	147 mm

LM-1577



REF.: 205.93.0

ESPECIFICACIONES / SPECIFICATIONS

Nominal Diameter	15" (380 mm)
Nominal Impedance	8 Ohm
Power Handling	450 W A.E.S
Sensitivity (1W/1m)	98.5 dB spl
Frequency Range	45 Hz-4 KHz
Voice coil nominal diameter	3" (76 mm)
Voice coil Former	Kapton
Flux Density	1.35 T
Magnet diameter	190 mm
Magnetic gap depth	7 mm
Net weight	6.7 Kg (30.5 lb)

MOUNTING INFO

Overall diameter	384 mm
Bolt circle diameter	369 mm
Baffle cutout diameter	348 mm
Depth	162 mm

3. ALTAVOCES PARA REPRODUCCIÓN DE FRECUENCIAS GRAVES / LOW FREQUENCIES LOUDSPEAKERS



LM-15-500



REF.: 205.64.0

ESPECIFICACIONES / SPECIFICATIONS

Nominal Diameter	15" (380 mm)
Nominal Impedance	8 Ohm
Power Handling	750 W A.E.S
Sensitivity (1W/1m)	98 dB spl
Frequency Range	45 Hz- 4 KHz
Voice coil nominal diameter	4" (100 mm)
Voice coil Former	Kapton
Flux Density	1.15 T
Magnet diameter	220 mm
Magnetic gap depth	9 mm
Net weight	9.7 Kg (21,3 lb)
Also available impedances	4 Ohm

MOUNTING INFO

Overall diameter	388 mm
Bolt circle diameter	370 mm
Baffle cutout diameter	352 mm
Depth	140 mm

L-18-800



REF.: 205.76.2

ESPECIFICACIONES / SPECIFICATIONS

Nominal Diameter	18" (460 mm)
Nominal Impedance	8 Ohm
Power Handling	1200 W A.E.S
Sensitivity (1W/1m)	99.5 dB spl
Frequency Range	30 Hz- 3 KHz
Voice coil nominal diameter	4" (100 mm)
Voice coil Former	Kapton
Flux Density	1.3 T
Magnet diameter	224 mm
Magnetic gap depth	9 mm
Net weight	10.9 Kg (2,50 lb)
Also available impedances	4 Ohm

MOUNTING INFO

Overall diameter	457mm
Bolt circle diameter	438 mm
Baffle cutout diameter	420.1 mm
Depth	150.45 mm

4. ALTAVOCES COAXIALES / COAXIAL LOUDSPEAKERS

LX- 12-400



REF.: 205.44

MOUNTING INFO

Overall diameter	312.5 mm
Bolt circle diameter	294 mm
Baffle cutout diameter	281 mm
Depth	160 mm
Net weight	7,3 Kg (13,6 lb)

ESPECIFICACIONES / SPECIFICATIONS

Nominal Diameter	12" (300 mm)
Nominal Impedance	8 Ohm
Power Handling	500 W A.E.S
Frequency Range	50 Hz- 19.5 KHz

LOW FREQUENCY UNIT

Sensitivity (1W/1m)	99 dB
Voice coil nominal diameter	3" (77 mm)
Voice coil Former	Kapton
Magnet diameter	190 mm
Magnetic gap depth	7 mm
Flux Density	1.35 T

HIGH FREQUENCY UNIT

Sensitivity (1W/1m)	107 dB
Voice coil diameter	1.75" (44.5 mm)
Recommended Crossover	2 KHz
Diafragm Material	Mylar
Flux Density	1,5t

4. ALTAVOCES COAXIALES / COAXIAL LOUDSPEAKERS



LX- 15-500



MOUNTING INFO

Overall diameter	388mm
Bolt circle diameter	370 mm
Baffle cutout diameter	352 mm
Depth	192 mm
Net weight	13.3 Kg [2.92 lb]

REF.: 205.59.0

ESPECIFICACIONES / SPECIFICATIONS

Nominal Diameter	15" [380 mm]
Nominal Impedance	8 Ohm
Power Handling	825 W A.E.S
Frequency Range	40 Hz- 19,5 KHz

LOW FREQUENCY UNIT

Sensitivity (1W/1m)	99.5 dB
Voice coil nominal diameter	4" [101,6 mm]
Voice coil Former	Kapton
Magnet diameter	220 mm
Magnetic gap depth	9 mm
Flux Density	1.3 T

HIGH FREQUENCY UNIT

Sensitivity (1W/1m)	107 dB
Voice coil diameter	1.75" [4.5 mm]
Recommended Crossover	2.2 KHz
Diafragma Material	Mylar
Flux Density	1.7 T

5. DIFUSORES / HORNS

L-033



REF.: 300.1.1.22

ESPECIFICACIONES / SPECIFICATIONS

Nominal Diameter	1" [25,4mm]
Nominal Coverage	85° x35°
Cut-off frequency	1.2 KHz
Material	Plastic
Dimensions [Wide,High,Depth]	t305x165x110 mm

MOUNTING INFO

3 M6 holes 120° on 57 mm diameter	
Baffle cutout diameter	274x134 mm

L-021



REF.: 300.1.1.25

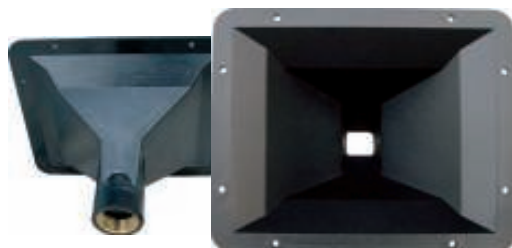
ESPECIFICACIONES / SPECIFICATIONS

Nominal Diameter	1" [25,4mm]
Nominal Coverage	90° x30°
Cut-off frequency	1 KHz
Material	Plastic
Dimensions [Wide,High,Depth]	395x185x175 mm

MOUNTING INFO

3 M6 holes 120° on 57 mm diameter	
Baffle cutout diameter	350x152 mm

YD-020



REF.: 300.1.1.23

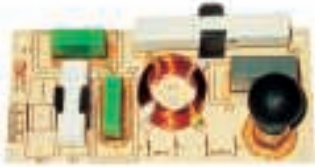
ESPECIFICACIONES / SPECIFICATIONS

Nominal Diameter	1" [25,4mm]
Nominal Coverage	60° x40°
Cut-off frequency	1 KHz
Material	Plastic
Dimensions [Wide,High,Depth]	240x198x150 mm

MOUNTING INFO

3 M6 holes 120° on 57 mm diameter	
Baffle cutout diameter	210x165mm

6. FILTROS PASIVOS / PASSIVE FILTERS



REF: 1.35.3.50 **CIM-212**



REF: 1.35.1.94 **CIM-173A1-B**



REF: 1.35.3.02 **CIM-173C3-2**



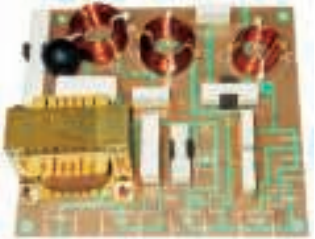
REF: 1.35.4.26 **CIM-234 B2-4**



REF: 1.35.4.25 **CIM-234B2-5**



REF: 1.35.4.29 **CIM-234D4-3**



REF: 1.35.3.32 **CIM-188**



REF: 1.35.3.42 **CIM-205**



REF: 1.35.4.42 **CIM-252**

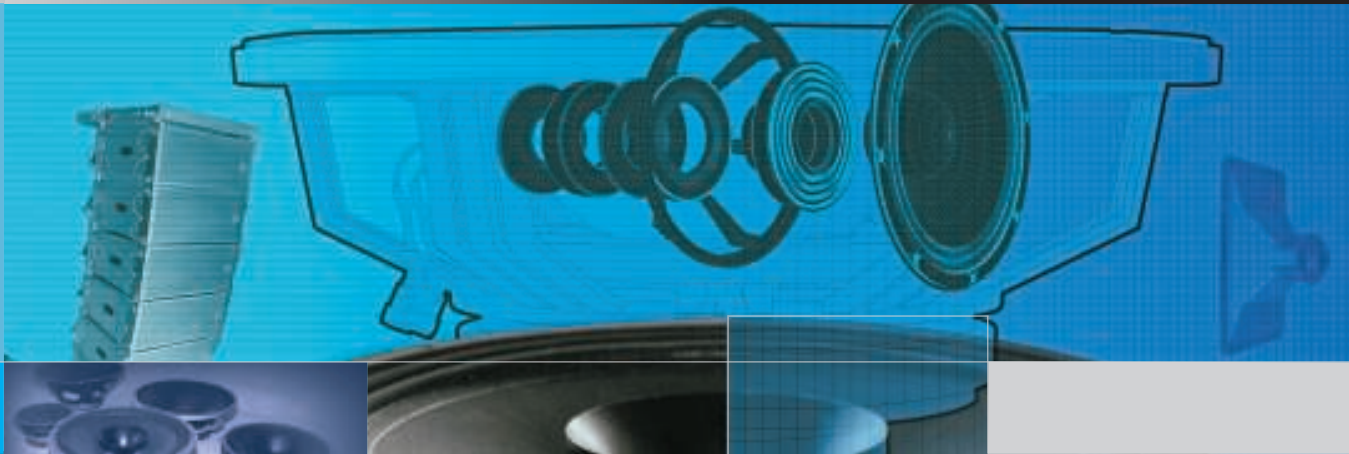


REF: 1.35.4.41 **CIM-253**

CIM - 212	CIM - 173 / A1 - B	CIM - 173 / C3 - 2	CIM - 234 / B2 - 4	CIM - 234 / B2 - 5	CIM - 234 / D4 - 3	CIM-188	CIM - 205	CIM - 252	CIM - 253
HIGH PASS	2 WAY					3 WAY	2 WAY	HIGH PASS	2 WAY
4,5 KHz	2,3 KHz	1,5 KHz	2,5 KHz	2,3 KHz	3 KHz	700 Hz / 7 KHz	1.2 KHz	2,5 KHz	1,8 KHz
100 W	600 W	600 W	600 W	600 W	400 W	350 W	1200 W	300 W	500 W
HIGH 18 dB / OCT.	LOW / HIGH 12/18 dB / OCT.	LOW / HIGH 12/12 dB / OCT.	LOW / MID / HIGH 12/18 dB / OCT.	LOW / HIGH 12/18 dB / OCT.	LOW / HIGH 12/18 dB / OCT.	LOW / MID / HIGH 12-12-18 dB / OCT.	LOW / HIGH 12-18 dB / OCT.	HIGH 24 dB / OCT.	LOW / MID / HIGH 12/24 dB / OCT.
F 12H F 15H B 212 B 215 AF 15 H AF 15 HM F 15 HM	POL 15X	F 215H	POL 122	POL 152	POL 102	F 153H BL 153	POL 215C	EQ 15	EC 15



www.musicson.com



c/ Dr. Mora Sanz s/n - 46920
Mislata - VALENCIA (España)
Tels./ Phone: (+34) 963 790 358 - 902 152 906
Fax: (+34)963 793 751

Servicio Técnico/ *Technical Service*: (+34) 963 136 289
Administración/ *Admin. Dept*: (+34) 963 136 286
Departamento Comercial: (+34) 963 136 287
E-mail: comercial@musicson.com / agustin@musicson.com
Departamento Exportación/ *Export Dept.*: (+34) 963 136 288 E-mail: export@musicson.com

E-mail: musicson@musicson.com
Website: [http:// www.musicson.com](http://www.musicson.com)



MUSICSON®